

# Downloads

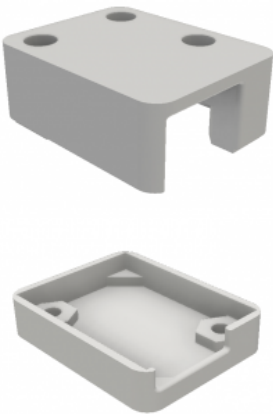
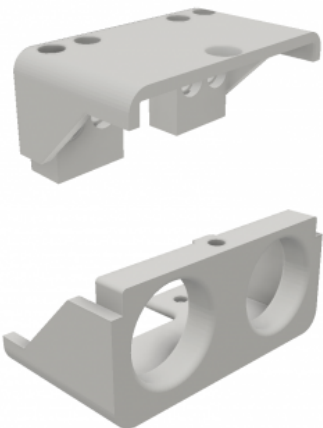
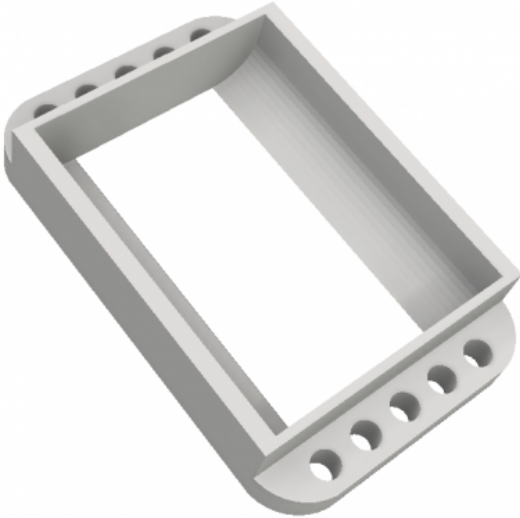
RoboCORE Software Development Kit and toolchain are available here:

- [ARM toolchain for RoboCORE](#) (based on [gcc-arm-embedded](#))
- [GCC 4.8 20140609](#)
- [RoboCORE SDK downloads](#)

See also:

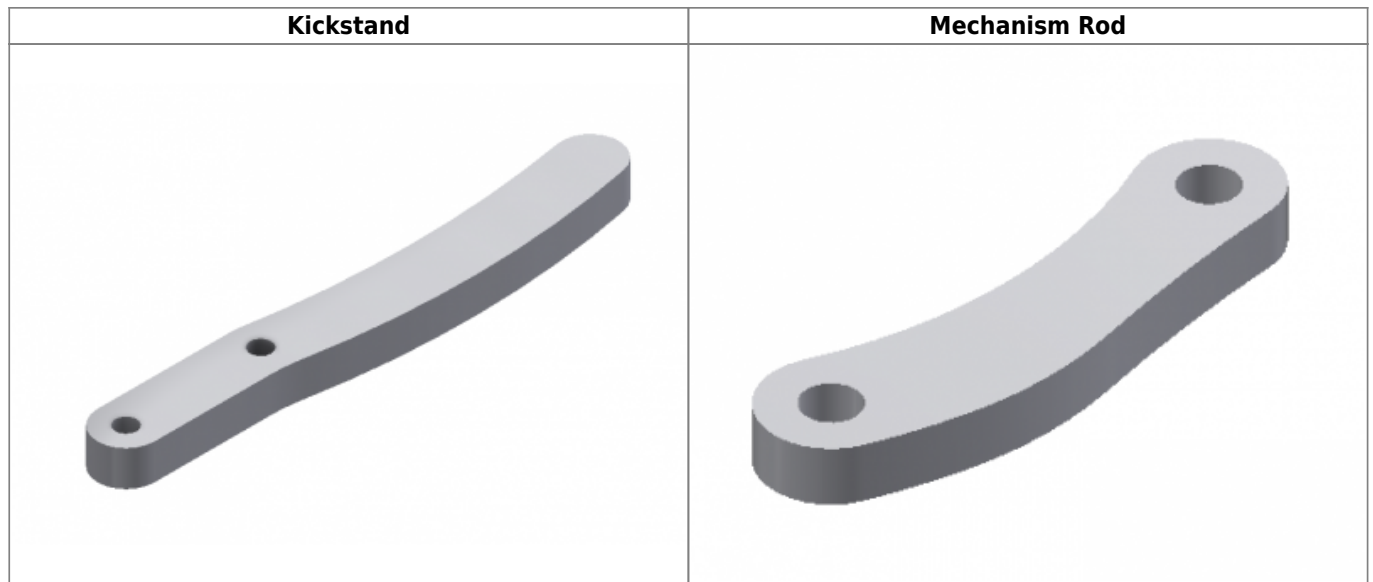
- [Open Source](#)

3D printable models of components used in our robots compatible with LEGO:

MPU-9250 orientation sensor cover	Ultrasonic HC-SR04 sensor cover	Battery pack holder
		

You can build your own Ralph using our open source 3D printable parts:

Servo Cover - Mechanism	Slider for a phone / tablet	Servo Arm
		



All 3D printable models are available here:

[3D models on GitHub](#)